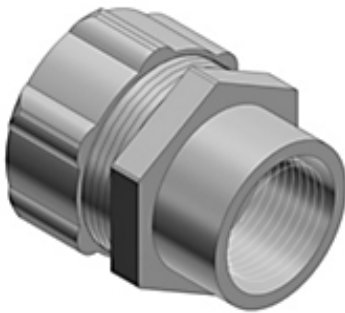




**Catalog Number:** 5276  
**Product ID:** 7TAD012420R0035  
**UPC Number:** 78621005276  
**EAN Number:** 05414363075592  
**Status:** A



Actual



Representative

1-1/2 Inch Malleable Iron Liquidtight Female Hub Adapter

#### North American Specifications (UNSPSC)

UNSPSC	39121420 Liquid tight connectors
IGCC	4585 Liquid tight connectors
Type	Connectors-Straight
Standard	UL E23018, CSA
Size	1-1/2 Inch
Material	Malleable Iron
Finish	Zinc Plating

#### European Specifications (ETIM)

ETIM	EC001180 Screw connection for protective metallic hose
Nominal size in inch	1 1/2 inch
Model	Straight
Revolving thread	N
Construction type	Internal thread
Connection type screw connection to housing	Thread
Thread type	NPT
Thread connection size	Other
One-piece	N
Surface protection	Other
Total length	68.26mm
Approved in combination with protective conduit UL	Y
Approved in combination with protective conduit FI	Y
Operating temperature	-20-+105°C

#### Packaging

Inner Quantity	5
Inner Dimensions (inches)	8x5x4
Outer Quantity	25
Outer Dimensions (inches)	26.7x8.39x4.5
Weight Uom	0.96 lbs. Each

#### Documents / Support Tools

Technical Drawing / Data Sheet	TDS000122
Instruction Sheet	TA00210-TB2

#### Header

3D Model	Available on Website
----------	----------------------